

HOBART

COOKING

HIGH PRESSURE STEAM COOKER GTP



650 SERVING



INGS

1 HOUR



**TOTAL PERFORMANCE
IN YOUR KITCHEN**

At HOBART, we take pride in providing reliable and innovative high quality kitchen equipment that has been engineered to ensure that whatever challenges the day may bring - you can make it happen with HOBART.

Let's make it happen!



HOBART

MANY MARKETS

Countless challenges

1 SOLUTION

HIGH PRESSURE STEAM COOKER **GTP**



HOSPITALITY

Bar & Pub / Bistro & Café /
Hotel & Restaurant



FOODSERVICE

Hospital / Nursing Home /
Canteen / Education - School & University



MEAT PRODUCTION

Butchery / Meat Production Industry





THE GTP - THE ALL-ROUNDER FOR PERFECT COOKING RESULTS

**HOBART's range of high pressure steam cookers
has the right cooker for any requirement:**

from a 50-seat à la carte restaurant to a 600-bed hospital.
Benefit from perfect meals produced in an instant as well as
extremely easy operation with maximum safety and flexibility.

THE MODELS

WE HELP YOU WITH YOUR DECISION!

205 GTP

The 205 GTP high pressure steam cooker with a capacity of 1 x ½ GN is perfect for use in small à la carte restaurants. Smaller quantities can be freshly cooked, re-cooked or regenerated very quickly.



305 GTP

The medium-sized 305 GTP high pressure steam cooker is often used in the foodservice sector. With its 3 x 1/1 GN racks, it cooks up to 650 portions per hour fresh and accurate to the minute.



2228 GTP

The large 2228 GTP model is ideal for system catering. Two cooking compartments, each with ½ GN capacity, allow different dishes to be produced at the same time and exactly to the point required.



COMBI TOWER

The COMBI TOWER provides two methods of cooking in a single unit. The combination of combi steamer and high pressure steam cooker provides capacity for up to 10 x 1/1 GN and is perfect for cooking large quantities in quick times.



HOBART



PERFECT COOKING RESULTS IN MINUTES

PRESERVING NUTRIENTS

A saturated-steam atmosphere is created in the GTP's cooking chamber by evaporating water and the subsequent increase in volume. Excellent heat transfer to the food being cooked can then be ensured. Saturated water vapour has big heat-transfer advantages over hot air or combined steam. Shorter cooking times mean more nutrients are preserved and food is more healthy.

SUITABLE FOODS

- All vegetables
- Pulses and rice
- Pasta and dumplings
- Meat that would otherwise be boiled
- Fish and seafood
- Desserts such as dumplings and puddings
- and much more

OVERVIEW OF BENEFITS

- Short cooking times for quick and even preparation of different quantities
- Preserves nutrients, consistency, colour and flavour of food
- Low energy consumption
- Simple and safe to use



MAXIMUM CAPACITY

QUICK COOKING – NO MATTER WHICH QUANTITY

In high pressure steam cookers most vegetables cook in 1 to 3 minutes. The automatic defrost facility means that fresh, frozen and defrosted products have the same cooking times, even for different quantities: whether 20 kg or 60 kg of a product, the food steams for the same amount of time. The 305 GTP steams without pressure from as low as 50 °C in an airtight cooking chamber. Cooking at 0.5 bar pressure at approx. 110 °C or at 1 bar pressure at approx. 120 °C in dry steam is also possible. Cooking times are then at least four times quicker than with a combi steamer.

PREPARING HEALTHY FOOD

Food is surrounded by dry steam and is not subjected to the kind of loss that cooking in hot water or damp steam has. Then there is the very short cooking time. Nutrients have no time to exit the food. Consistency, colour and taste are completely preserved.



EASY HANDLING



SAFE TO USE

The door of the high pressure steam cooker cannot be opened when the cooker is under pressure. A unique locking mechanism seals the door from the inside and prevents unintentional opening during pressurised cooking. This prevents hot steam from injuring the operator. An automatic safety valve prevents overpressure in the cooker.

PUSH-BUTTON START

HOBART's high pressure steam cookers all have simple control settings for 0.5 or 1 bar pressure and are temperature programmable. Simply push a button and the machine automatically prepares itself in approximately ten minutes. The doors of the high pressure steam cookers are easy and quick to use. The cylindrical cooking chambers, all made out of stainless steel, ensure an even distribution of steam and are easy to clean.



HIGH LEVEL OF ECONOMY



LOW ENERGY CONSUMPTION

The 305 GTP has a connected load of 27.2 kW at full power, which can be reduced to 18 kW by our HOBART service technicians if required. The insulated boiler and cooking chamber ensure minimal power usage when on standby. Cooking times are in the low seconds to minutes range. This means that the GTP only operates for two to three hours a day instead of the eight to ten hours that other (comparable) equipment does.

ECONOMY & ECOLOGY

HOBART high pressure steam cookers are five times faster than conventional methods and much more efficient – only 0.34 kW are used to cook 1 kg of rice. The integrated steam extractor ensures a pleasantly cool working environment by automatically condensing the vapor at the end of the cooking cycle.





COMBI TOWER

Save space and time by using the COMBI TOWER. The combination of high pressure steam cooker and combi steamer means the COMBI meets every need while requiring just 1 m² of floor space. This solution, which is unique on the market, is available in 4 different variants, differing for example in capacity. The combi steamer has options for 6 or 10 racks and can be combined with the 205 GTP or 305 GTP high pressure steam cookers.

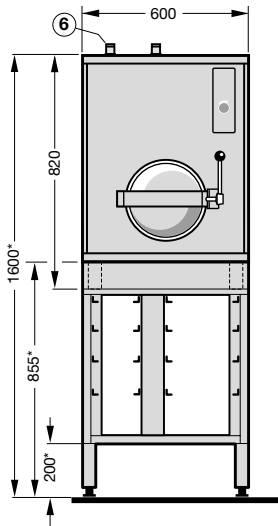
With 6 cooking methods, the COMBI steamer is a versatile production unit particularly suited to cooking gratins and baked goods, as well as meat. The COMBI ensures even cooking with uniform browning and highly accurate low-temperature cooking.



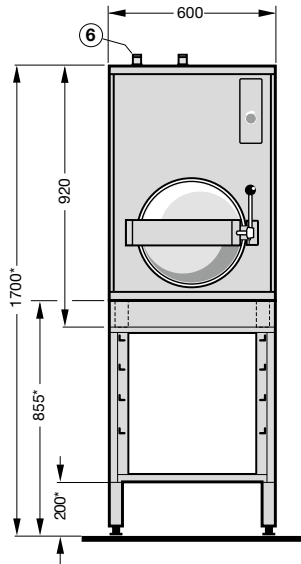


DRAWINGS

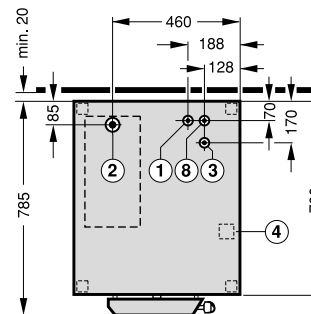
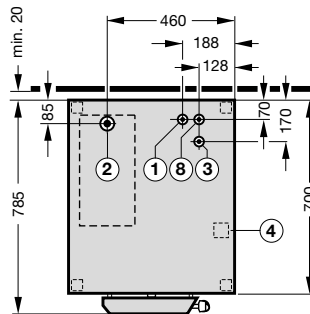
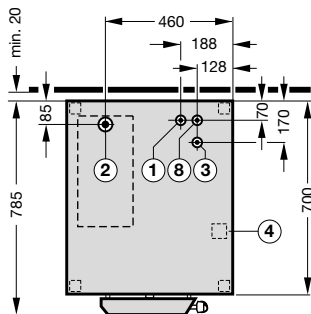
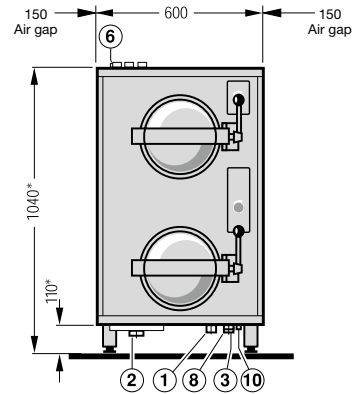
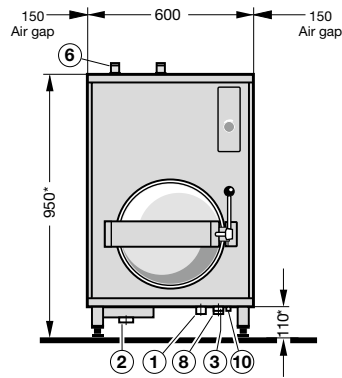
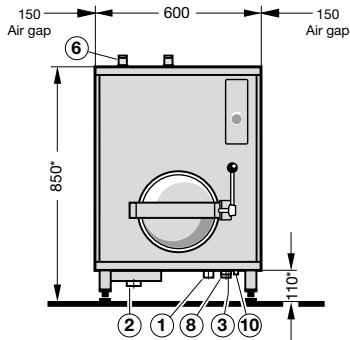
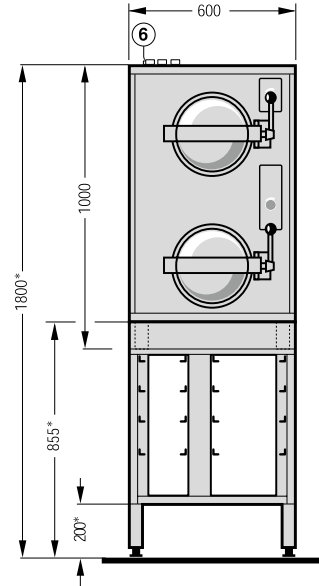
205 GTP



305 GTP



2228 GTP



* +/- 15 mm foot adjustment

[1] Fresh water connection: R 3/4" (soft water for steam generator)

[2] Drain connection: R 1"

[3] Electr. cable feed: M 40

[4] Electrical connection: 400 / 50-60 / 3 / N

[5] Vapour extractor: Ø 35 mm

[8] Water connection for steam extractor: R 3/4"

[10] Connection for potential equalization: M 8

FEATURES

MODELS

205 GTP / 305 GTP / 2228 GTP

3 DIFFERENT PRESSURE LEVELS

Depressurised	●
0.5 bar	●
1 bar	●

FEATURES

Automatic defrost facility	●
Steam extractor	●
Automatic drain of boiler after the end of operation	●
Automatic self-cleaning programme of steam extractor	●
Fully insulated cooking chamber and steam generator	●
Display for water level control	●
Fully electronic control of time indication	●
Failure indication	●
Digital display for chamber pressure	●
Star-shaped steam distributor	●
Variable low-temperature programme 60 - 99 °C, infinitely variable	●
Electronics prepared for use of core temperature sensor	●
Potential-free contacts for connection to the power optimisation system	●

● Inclusive



TECHNICAL DATA

MODELS	205 GTP	305 GTP	2228 GTP
SERVINGS	400/h	650/h	600/h
GN TRAYS	1x 1/2 GN - 138 mm	Three variants: 3x 1/1 GN to max. 65 mm 2x 1/1 GN to max. 100 mm 1x 1/1 GN to max. 200 mm	2x 1/2 GN - 200 mm
TOTAL LOADING			
Standard	18.2 kW 3 x 32 A	27.2 kW 3 x 50 A	27.2 kW 3 x 50 A
Alternative	9.2 kW 3 x 16 A	18.2 kW 3 x 32 A	18.2 kW 3 x 32 A
Power supply	400 / 50 / 3 / N / PE	400 / 50 / 3 / N / PE	400 / 50 / 3 / N / PE
SOFT WATER CONNECTION for steam cooker	R3/4"	R3/4"	R3/4"
DRAIN CONNECTION	R1"	R1"	R1"
POWER CONNECTION	M 40	M 40	M 40
VAPOUR EXTRACTOR	Ø 35 mm	Ø 35 mm	Ø 35 mm
WATER CONNECTION for steam extractor (hard water)	R3/4"	R3/4"	R3/4"
CONNECTION for potential compensation	M 8	M 8	M 8
DIMENSIONS			
Height / Width / Depth	600 / 785 / 850 mm	600 / 785 / 950 mm	600 / 785 / 1,040 mm
Height with undercarriage	1,600 mm	1,700 mm	1,800 mm

* If the water hardness exceeds 3°dH, a partial demineralisation (HYDROLINE steam) should be installed for optimum results.

PRODUCT (fresh)	ENERGY CONSUMPTION (in kWh)			WATER (in ltr.) for the cooking process			TIME (in min at 1 bar)		
	convent.	HOBART	Diff.	convent.	HOBART	Diff.	convent.	HOBART	Diff.
8 kg potatoes (quartered)	2.5	0.5	2.0	8.0	0.5	7.5	40.0	8.0	32.0
2 kg carrots (in slices)	1.0	0.15	0.85	3.0	0.3	2.7	20.0	2.0	18.0
2 kg cauliflower (florets)	1.0	0.15	0.85	4.0	0.4	3.6	25.0	2.0	23.0
5 kg beans (deep-frozen)	1.8	0.25	1.55	5.0	0.8	4.2	30.0	2.5	27.5
3 kg kohlrabi (sticks)	1.1	0.2	0.9	4.0	0.4	3.6	25.0	2.0	23.0
0.8 kg vegetables (Julienne)	0.8	0.1	0.7	1.5	0.2	1.3	10.0	1.0	9.0
2 kg broccoli	1.0	0.2	0.8	4.0	0.4	3.6	20.0	3.0	17.0
4 kg mixed vegetables (deep-frozen)	1.8	0.25	1.55	5.0	0.8	4.2	30.0	2.0	28.0
3 kg rice (uncooked)	1.8	0.6	1.2	8.0	0.7	7.3	30.0	9.0-10.0	20.0
30 eggs (soft)	0.8	0.3	0.5	5.0	0.5	4.5	10.0	3.0-4.0	6.0
2.5 kg salmon (in tranches)	1.3	0.3	1.0	2.0	0.2	1.8	15.0	3.0-4.0	11.0
3 kg sole (rolls)	0.8	0.2	0.6	1.5	0.2	1.3	10.0	1.5-2.0	8.0
4 trout	1.1	0.3	0.8	5.0	0.2	4.8	15.0	3.0-4.0	11.0
SAVINGS	16.8	3.5	13.3	56.0	5.6	50.4	280.0	45.5	233.5



THE COMPANY

We are HOBART

HOBART is the world market leader for commercial warewashing technology and well-known manufacturer of cooking, food preparation, and environmental technology. Established in 1897 in Troy, Ohio, today HOBART employs more than 6,900 employees around the world. At our manufacturing plant in Offenburg, Germany, HOBART develops, produces, and distributes warewashing technology worldwide. The hotel and catering trade, cafeterias, bakeries and butcher shops, supermarkets, airlines, cruise ships, automotive suppliers, research centres and pharmaceutical companies all over the world swear by our innovative products, which are considered to be economical and ecological market leaders.

A company of the ITW Group.

OUR FOCUS

Innovative – economical – sustainable

This is our philosophy. To us, **innovation** means continuously setting new standards in technology, combined with real added value for the customer. Our group's Technological Centre, and our own Innovation Centre for Warewashing Technology at our headquarters in Germany, make this possible. Here, our innovative powers are combined to create highly efficient products which continuously confirm our status as technological leader. To be **economical** means to set standards in terms of the lowest operating costs and minimal use of resources, and to revolutionise the market continuously. To be **sustainable** means responsible handling of resources and a sustainable energy policy. This applies not only to the product in use, but in general to all areas of the organisation, such as purchasing or manufacturing.



Warewashing



Cooking



Food Preparation



Waste Technology

HOBART SERVICE

Competent – fast – reliable

HOBART service technicians and HOBART service partners are the "real" experts. Thanks to intensive training and many years of experience, they have a unique and profound knowledge of the products. This means that maintenance and repair work is always carried out professionally, fast and reliably.

TOTAL PERFORMANCE

In your kitchen

At HOBART, we take pride in providing reliable and innovative high quality kitchen equipment that has been engineered to ensure that whatever challenges the day may bring – you can make it happen with HOBART.

Let's make it happen!

HOBART

DEUTSCHLAND/ÖSTERREICH

HOBERT GMBH

Robert-Bosch-Straße 17 | 77656 Offenburg
Tel.: +49 781 600-0 | info@hobart.de
www.hobart.de



Werkskundendienst +49 800 600 1313
für Österreich +43 820 240 599

Zentraler Verkauf +49 180 300 0068

SCHWEIZ

GEHRIG GROUP AG

Bäulerwisenstrasse 1 | 8152 Glattbrugg
Tel.: +41 43 211 56-56
info@gehriggroup.ch
www.gehriggroup.ch

FRANCE

COMPAGNIE HOBERT

ZI PARIS EST - Allée du 1er Mai - B.P. 68
77312 MARNE LA VALLEE Cedex 2
Téléphone: +33 1 64 11 60 00
contact@hobart.fr
www.hobart.fr

UNITED KINGDOM

HOBERT UK

Southgate Way | Orton Southgate
Peterborough | PE2 6GN
Phone: +44 844 888 7777
customer.support@hobartuk.com
www.hobartuk.com

BELGIUM

HOBERT FOSTER BELGIUM

Industriestraat 6 | 1910 Kampenhout
Phone: +32 16 60 60 40
sales@hobart.be
www.hobart.be

NEDERLAND

HOBERT NEDERLAND B.V.

Pompmolenlaan 12 | 3447GK Woerden
Tel.: +31 348 46 26 26
info@hobart.nl | www.hobart.nl

NORGE

HOBERT NORGE

Gamle Drammensvei 120 A | 1363 HØVIK
Tel.: +47 67 10 98 00
post@hobart.no | www.hobart.no

SVERIGE

HOBERT SCANDINAVIA APS

Varuvägen 9 | 125 30 Älvsjö
Tel.: +46 8 584 50 920
info@hobart.se | www.hobart.se

DANMARK

HOBERT SCANDINAVIA APS

Håndværkerbyen 27 | 2670 Greve
Tel.: +45 43 90 50 12
salg@hobart.dk | www.hobart.dk

AUSTRALIA

HOBERT FOOD EQUIPMENT

Unit 1/2 Picken Street | Silverwater NSW | 2128
Tel.: +61 2 9714 0200
www.hobartfood.com.au

SPAIN

HOBERT ESPAÑA

DIVISION DE ITW ESPAÑA, S.L.U.

Ctra de Ribes KM 31,7
08520 Les Franqueses del Vallés, Barcelona
Phone +34 938 605 020
info@hobart.es | www.hobart.es

KOREA

HOBERT KOREA LLC

7th Floor | Woonsan Bldg | 108 | Bangi-dong
Songpa-gu | Seoul 138-050
Phone: +82 2 34 43 69 01
contact@hobart.co.kr
www.hobart.co.kr

JAPAN

HOBERT (JAPAN) K.K.

Suzunaka Building Omori
6-16-16 Minami-Oi | Shinagawa-ku | Tokyo 140-0013
Phone: +81 3 5767 8670
info@hobart.co.jp | www.hobart.co.jp

SINGAPORE

HOBERT INTERNATIONAL (S) PTE LTD

158 | Kallang Way | #06-03/05
Singapore 349245
Phone: +65 6846 7117
enquiry@hobart.com.sg
www.hobart.com.sg

THAILAND

HOBERT (THAILAND)

43 Thai CC Tower Building | 31st FL
Room No. 310-311 | South Sathorn Rd.
Yannawa | Sathorn | Bangkok | 10120
Phone: +66 2 675 6279 81 | enquiry@hobartthailand.com
www.hobartthailand.com

OTHER COUNTRIES

HOBERT GMBH

Robert-Bosch-Straße 17 | 77656 Offenburg | Germany
Phone: +49 781 600-2820
info-export@hobart.de
www.hobart-export.com

Die Angaben in diesem Prospekt beruhen auf dem Stand 10/2023. Technische Änderungen oder Änderungen der Ausführung bleiben vorbehalten.

The details given in this brochure are correct as of 10/2023. We reserve the right to technical or design modifications.

Document non contractuel. Les indications de ce prospectus sont conformes à la mise à jour de 10/2023. Nous nous réservons le droit de modifier les données ou les configurations techniques de nos machines.

